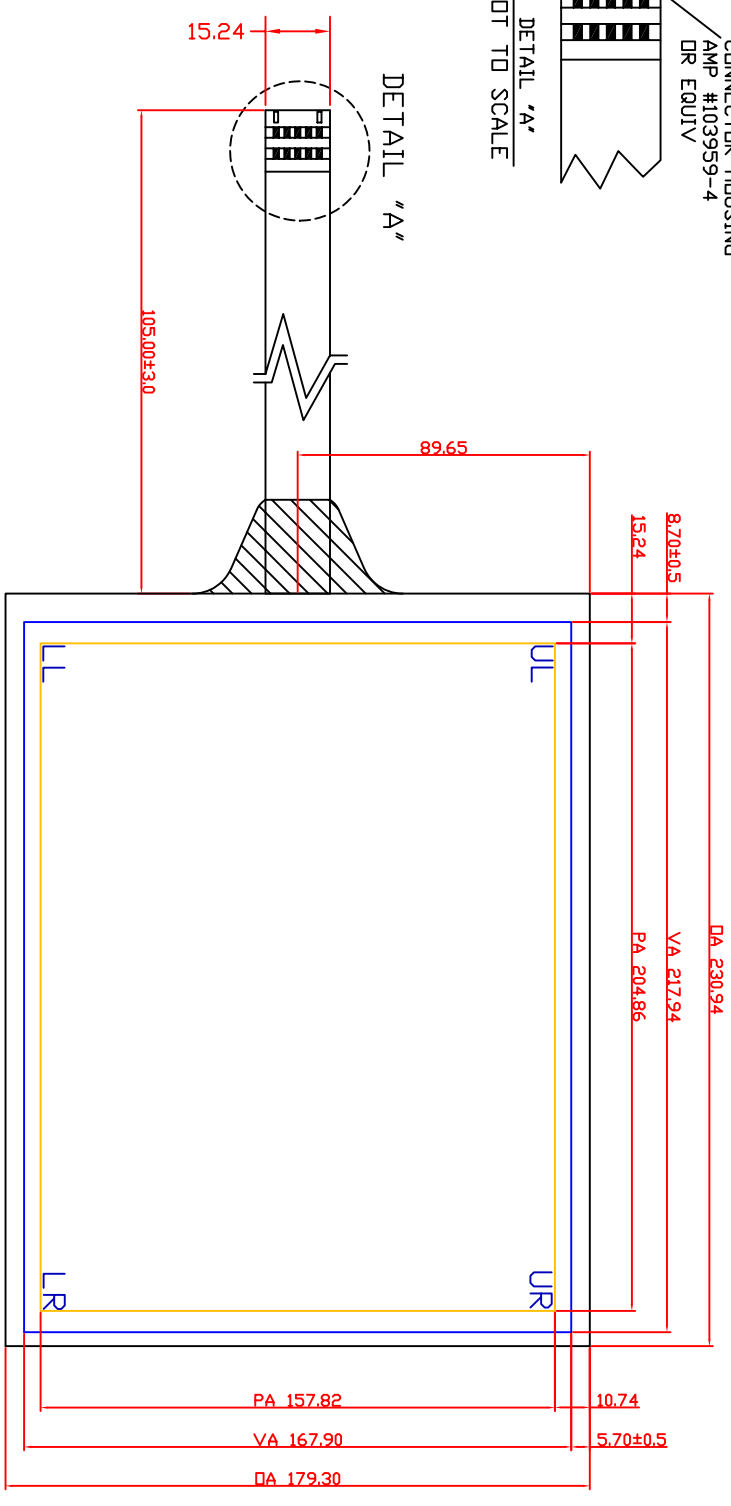
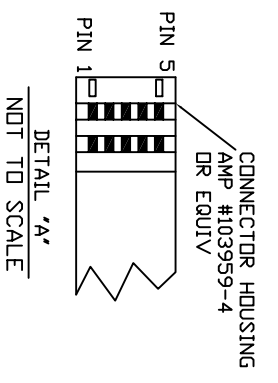


DA DIAGONAL : 292.37(REF)
 VA DIAGONAL : 275.11(REF)
 PA DIAGONAL : 258.60(REF)



PINOUT	
1	LR
2	LL
3	SHIELD
4	UL
5	UR

NOTES:
 This tail is FPC.

DIMENSIONS		MM	
X	±	TOLERANCE	
.XX	±0.3	TOLERANCE	
.XXX	±0.15	TOLERANCE	
ANGLES	±1°	TOLERANCE	
THIRD ANGLE PROJECTION			
DO NOT SCALE DRAWING		SCALE 1 : 1	
TITLE		P/N	
Quantum 達諾光電股份有限公司 Capacitive Touch Sensor 230.94 X 179.30 X 2.80		F1-10822AP-A-N0	
NOTICE OF PROPRIETARY RIGHTS		Drawn By: Hunter Yu	
This document is proprietary property of Quantum. Copy, distribute, re-produce or distribute without Quantum's authorization.		Drawn Date: 08-09-2007	
REV		SHEET	
A		1 of 1	