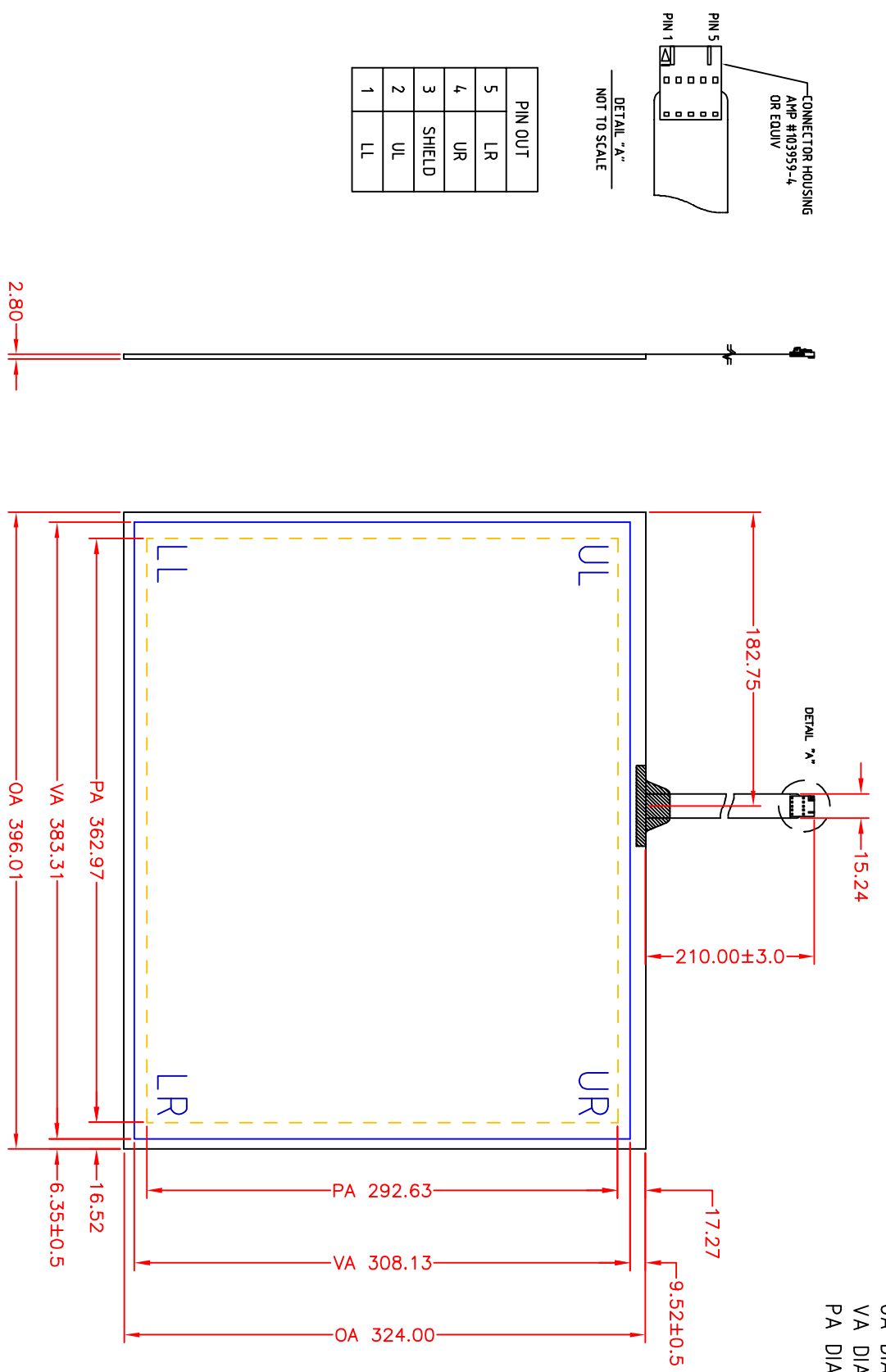


OA DIAGONAL : 511.66 [20.14"] (REF)
 VA DIAGONAL : 491.80 [19.36"] (REF)
 PA DIAGONAL : 466.24 [18.36"] (REF)



PIN OUT
5 LR
4 UR
3 SHIELD
2 UL
1 LL

NOTES :
 1. Tail type : FPC

REV	DESCRIPTION	DATE	BY
A-02	TAIL LENGTH 210.0mm	2009-10-08	EC
A-01	INITIAL RELEASE PER NPD	2007-09-16	HY

DIMENSIONS		TOLERANCES UNLESS OTHERWISE SPECIFIED	
NM	MM	.X	±
		.XX	±0.3
		.XXX	±0.15
		ANGLES	±1°

P/N	TITLE	NOTICE OF PROPRIETARY RIGHTS
F1-194.12APA-N0	Capacitive Touch Sensor	This document is proprietary property of Domo Tech Corp. and may not be reproduced or distributed without Domo Tech authorization.

REV.	SCALE	DO NOT SCALE DRAWING	DATE	BY
A-02	1 : 1			

REV.	SHEET	DRAWN BY	DRAWN DATE
A-02	1 of 1	Ethan Chou	2009-10-08

Domo 達諾光電股份有限公司