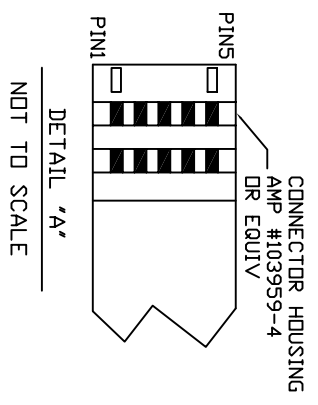
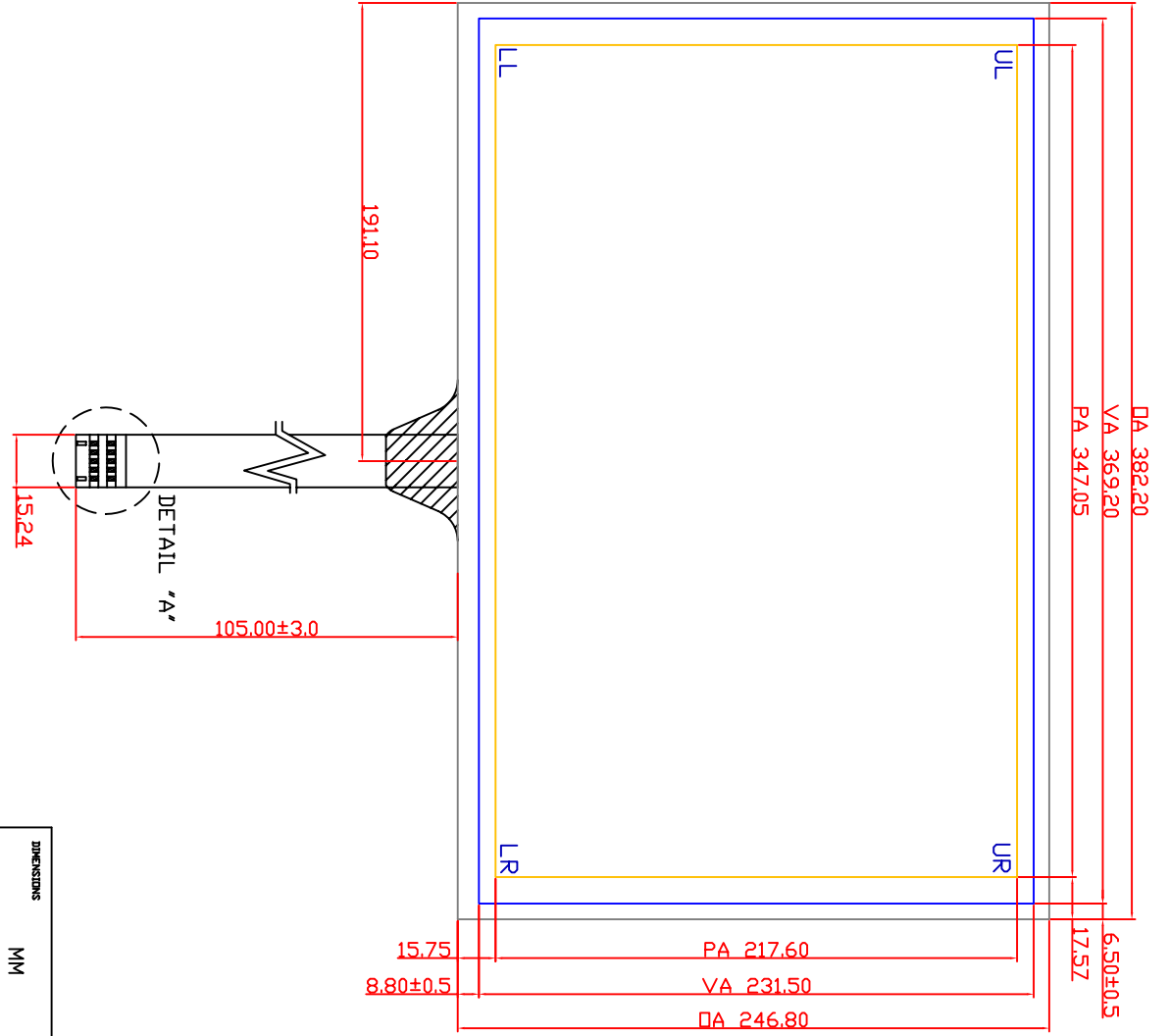


O/A DIAGONAL : 454.95[17.91"] (REF)  
 VA DIAGONAL : 435.78[17.15"] (REF)  
 PA DIAGONAL : 409.63[16.13"] (REF)



NOTES:  
 The tail is FPC.



PINDUT	
1	UR
2	LR
3	SHIELD
4	LL
5	UL

**Damo 達諾光電股份有限公司**

DIMENSIONS		TITLE	
MM		Capacitive Touch Sensor	
		382.20 X 246.80 X 2.80	

THIRD ANGLE PROJECTION		DRAWN BY:	
X	±	Hunter Yu	
XX	±0.3		
XXX	±0.15		
ANGLES	±1°		

DO NOT SCALE DRAWING		REV		SHEET		DRAWN DATE	
SCALE	1 : 1	A		1 of 1		09-17-2007	

A

B

C

D

6 5 4 3 2 1