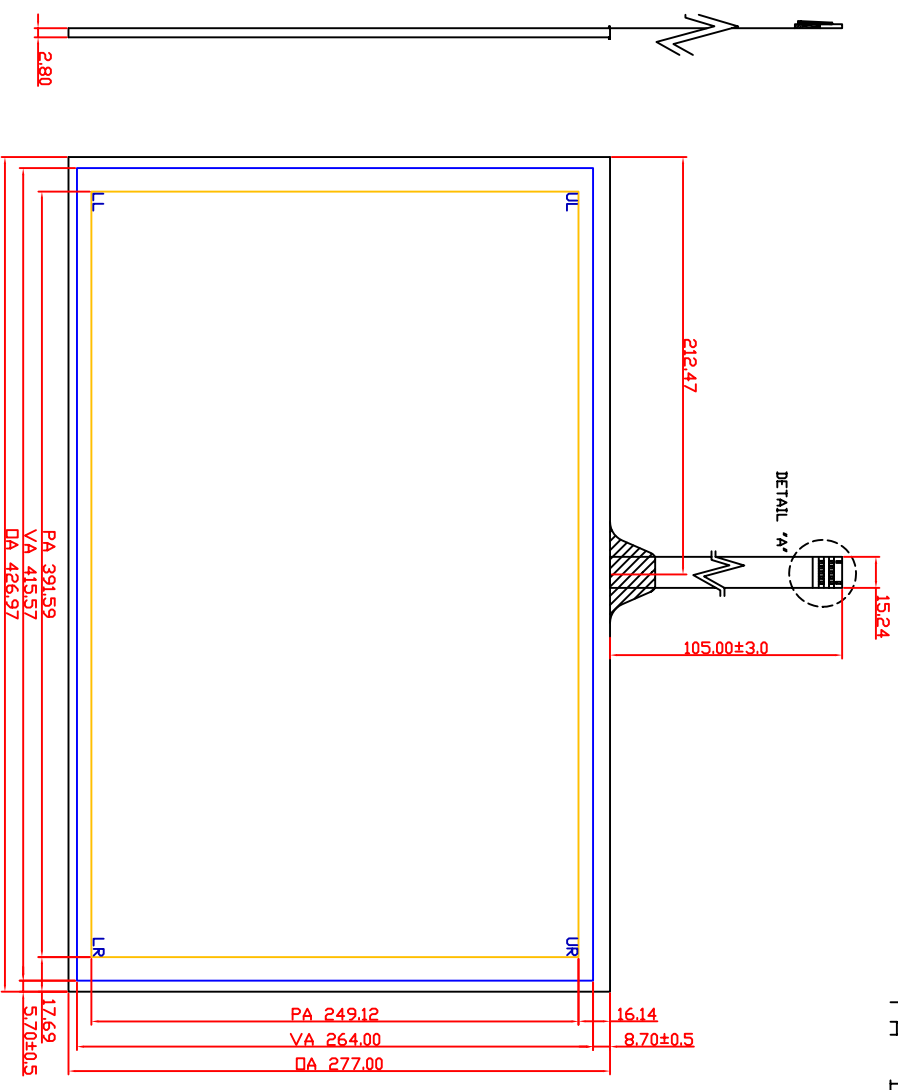
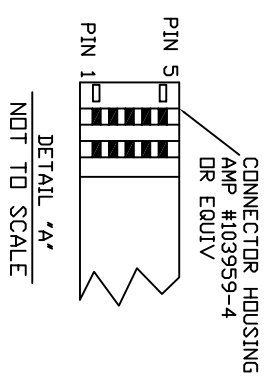


DA DIAGONAL : 508.96(REF)  
 VA DIAGONAL : 492.34(REF)  
 PA DIAGONAL : 464.12(REF)



NOTES:  
 The tail is FPC.

| PINOUT |        |
|--------|--------|
| 1      | LL     |
| 2      | UL     |
| 3      | SHIELD |
| 4      | UR     |
| 5      | LR     |

|                        |       |             |                |
|------------------------|-------|-------------|----------------|
| DIMENSIONS             |       | MM          |                |
| X                      | ±     | TOLERANCES  |                |
| .XX                    | ±0.3  | ANGLES ±1°  |                |
| .XXX                   | ±0.15 |             |                |
| THIRD ANGLE PROJECTION |       | P/N         | WI-19432ARA-N0 |
| DO NOT SCALE DRAWING   |       | REV         | A              |
| SCALE                  | 1 : 1 | SHEET       | 1 of 1         |
|                        |       | DRAWN DATE: | 09-17-2007     |

NOTICE OF PROPRIETARY RIGHTS  
 This document is proprietary property of Inventec Corporation and may not be reproduced or distributed without Inventec's authorization.

**Inventec** 達諾光電股份有限公司