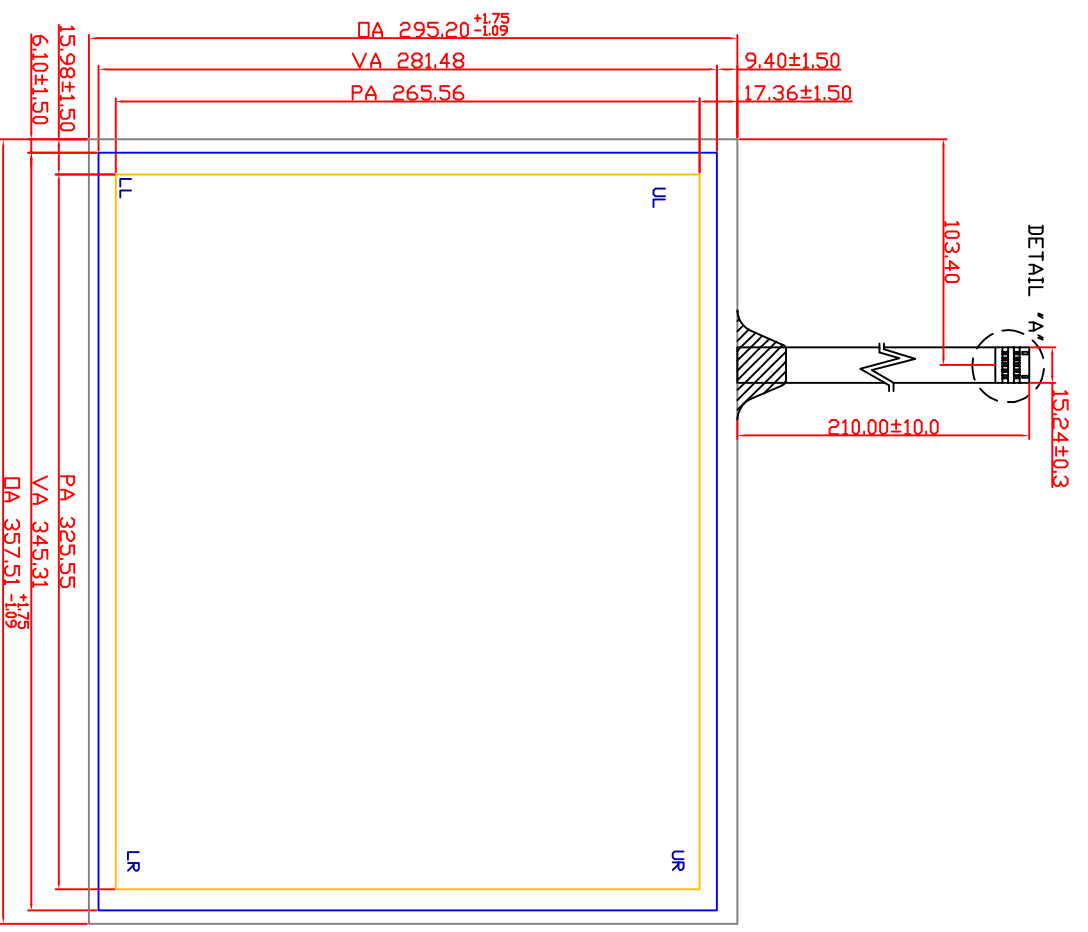
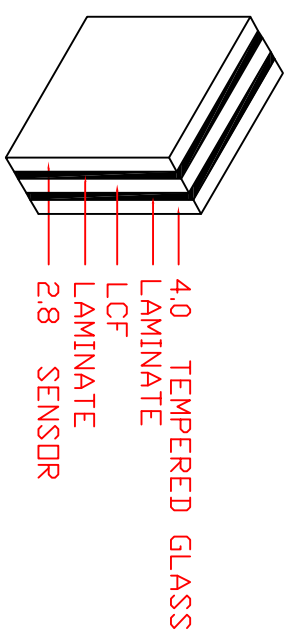
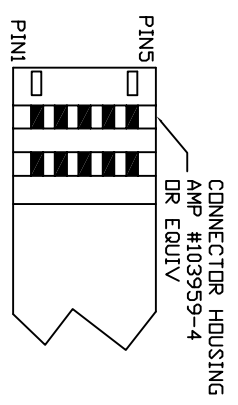


OA DIAGONAL : 463.63 (REF)  
 VA DIAGONAL : 445.50 (REF)  
 PA DIAGONAL : 420.12 (REF)



NOTES:  
 1. Tail type : FPC.  
 2. Modify shape of tape on tail. (Rev B-Rev C).

P/INDUT	
1	LL
2	UL
3	SHIELD
4	UR
5	LR

DIMENSIONS		TITLE		NOTICE OF PROPRIETARY RIGHTS The document is proprietary property of Danu. It is not to be reproduced or distributed without Danotech authorization.
MM		Danu 達諾光電股份有限公司		
X XX XXX ANGLES ±1°	± ±0.76 ±0.38	Capacitive Touch Sensor 357.51 X 295.20 X 818		
THIRD ANGLE PROJECTION		P/N	F1-17528APB-NC	Drawn By: James Ku
DO NOT SCALE DRAWING		REV	C	Drawn Date: 12-23-2008
SCALE 1 : 1		SHEET 1 OF 1		