



DanoTech Co., Ltd.

Product Specification

Ver. 1.0

17" Touch LCD Monitor

FP-17522AUA-M6

1. General Specification

| | | |
|------------------|-------------------|--|
| Touch Panel | Technology | Capacitive Touch Panel |
| | Size | 17.0" |
| | Pixel Dimension | 0.264mm x 0.264mm |
| | Active Area | 338mm(H) x 270mm(V) |
| | Max. Resolution | 1280 x 1024 |
| | Lamp Hours | 50,000 hrs |
| | Display Colors | 16.2M |
| | Response Time | 8Ms |
| | Contrast Ratio | 500:1 |
| | Brightness | 300 cd/m ² |
| | View Angle | R/L +70° ~ 70° U/D Vert. +75°~75° |
| | Aspect Ratio | 4 : 3 |
| Audio Output | Speakers | 2w/4ohm x2 |
| Signal Input | PC-VGA | 1 |
| | PC-Audio | 1 |
| Power | Power Voltage | Input : 100~220Vac ; Output : 12V-4A |
| | Power Consumption | 40W max |
| | Stand-by Power | <5w |
| Hole Dimension | Hole Dimension | 100mm x 100mm |
| Module Dimension | Dimension | 371mm(H) x 421mm(W) x 106.7(D) (with stand) |
| Packing | Dimension | 574mm(H) x505(W)mm x 161mm(D). |
| | N.W. | 5.5 Kg (with stand) |
| | G.W. | 7 Kg |

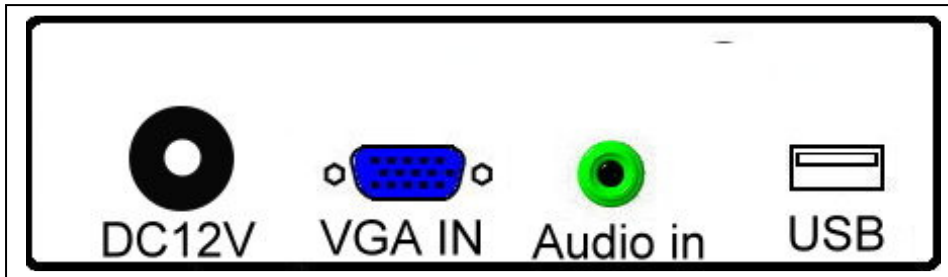
2. Input / Output

DC12V : DC12V ◦

VGA IN : VGA D-Sub 15P ◦

PC Audio : PC Audio in ◦

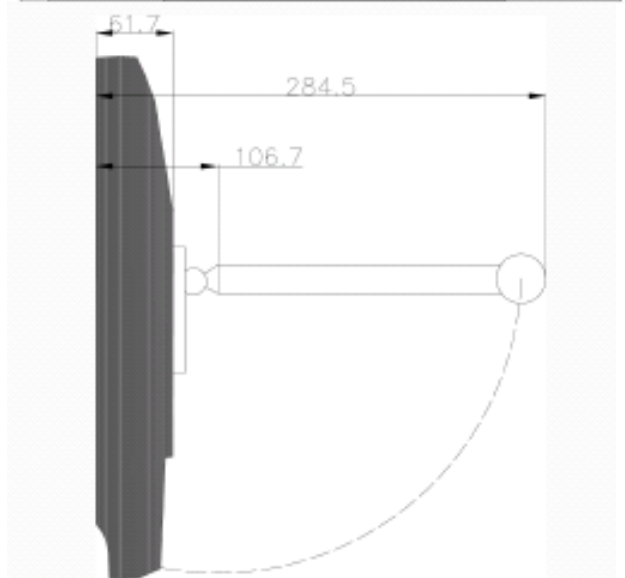
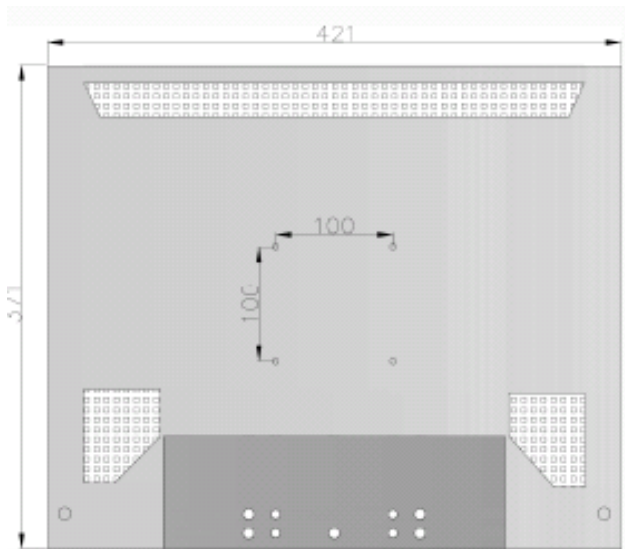
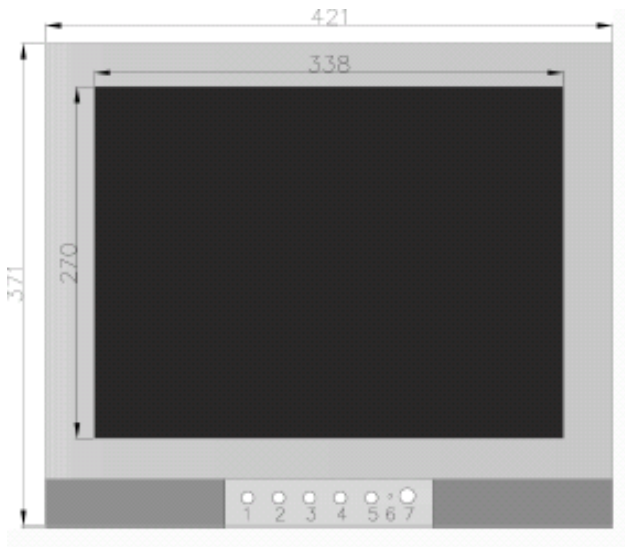
Touch Panel USB Port



3. Appearance



4. Outside Dimension



5. Accessories

- 5.1. Adapter
- 5.2. VGA cable
- 5.3. Audio cable
- 5.4. Power cord
- 5.5. User's manual
- 5.6. CD driver (for touch panel)
- 5.7. USB cable

© This specification is subject to change without further notice.