



**DanoTech Co., Ltd.**

## **Product Specification**

Ver. 1.0

---

# **19" Touch LCD Monitor**

## **FP-19412AUA-M6**

# 1. General Specification:

Touch Panel	Technology	Capacitive Touch Panel
LCD Information	Size	19.0"
	Pixel Dimension	0.294mm x 0.294mm
	Active Area	376.3mm(H) x 301.1mm(V)
	Max. Resolution	1280 x 1024
	Display Colors	16.2M
	Response Time	8Ms
	Contrast Ratio	500:1
	Brightness	300 cd/m <sup>2</sup>
	View Angle	Hori +75° ~ 89° Vert. +75°~89°:
	Aspect Ratio	4 : 3
Audio	Speaker	2w/4ohm x2
Signal Input	PC-VGA	1
	PC-Audio	1
Power consumption	Voltage	Input : 100~220Vac ; Output : 12V-4A
	Power Consumption	40W max
	Stand-by Power	<5w
Hole Dimension	Hole Dimension	100mm x 100mm
Module Chassis Dimension		384mm(H)x430mm(W)x110mm(D) (with stand)
Packing	Dimension	574mm(H) x505(W)mm x 161mm(D).
	N.W.	5.5 Kg(with stand)
	G.W.	7.0 Kg

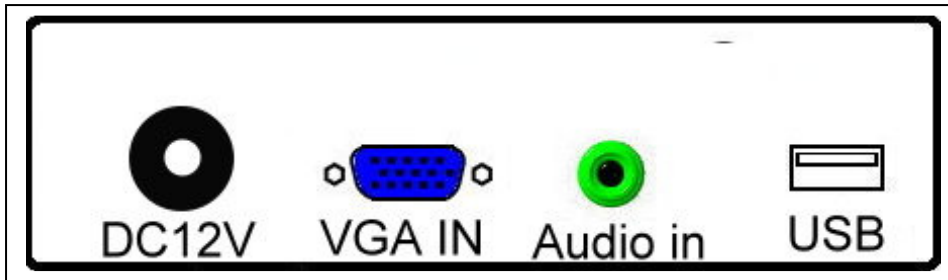
## 2. Input / Output

DC12V : DC12V ◦

VGA IN : VGA D-Sub 15P ◦

PC Audio : PC Audio in ◦

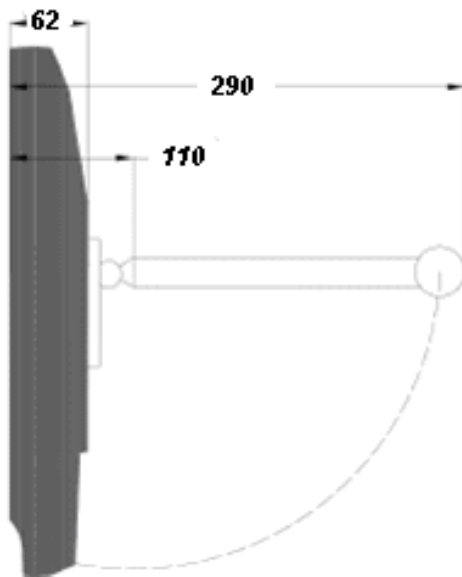
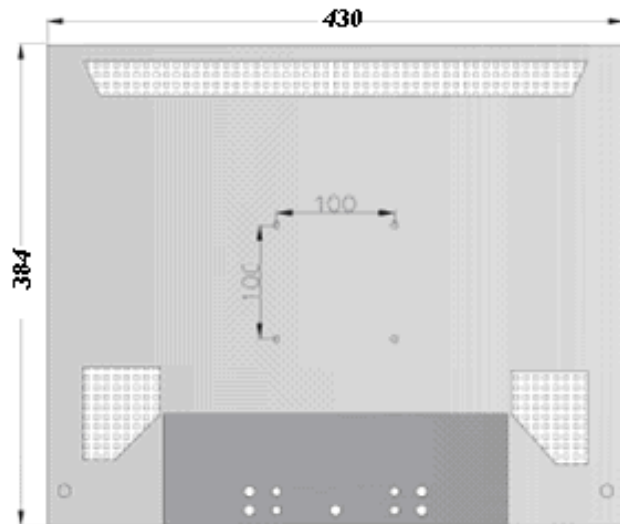
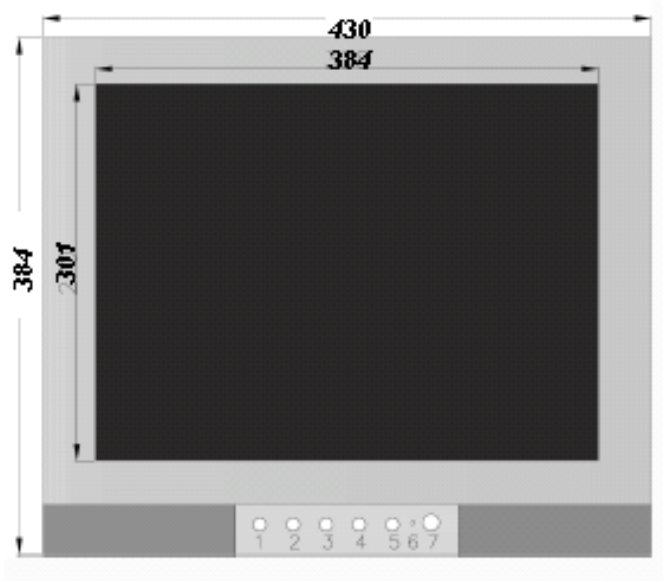
Touch Panel USB Port



## 3. Appearance



## 4. Outside Dimension



## **5. Accessories**

- 5.1. Adapter
- 5.2. VGA cable
- 5.3. Audio cable
- 5.4. Power cord
- 5.5. User's manual
- 5.6. CD driver (for touch panel)
- 5.7. USB cable

© This specification is subject to change without further notice.