



DanoTech Co., Ltd.

Product Specification

Ver. 1.0

22" Touch LCD Monitor

FP-22412AUA-M6

1. General Specification:

Touch Panel	Technology	Capacitive Touch Panel
LCD Information	Size	22 inch TFT LCD
	Pixel Dimension	0.282mm(H) x 0.282mm(V)
	Active Area	473.7mm(H) x 296.1mm(V)
	Max. Resolution	1680 x 1050 (Max)
	Display Colors	16.7M
	Response Time	5ms
	Contrast Ratio	1000:1
	Brightness	300 cd/m ²
	View Angle	R/L +80°~ -80° U/D Vert.: +85°~ -85°
	Aspect Ratio	16:10
Audio	Speaker	2w/4ohm x2
Signal Input	PC-VGA	1
	PC-Audio	1
	Voltage	Input : 100~220Vac Output : 12V-5A
	Power Consumption	48W max
	Stand-by Power	<5w
Module Chassis Dimension		527.5 x 349.1 x 289.28 mm (with stand)
Packing	Dimension	580 x 215 x 470mm
	N.W.	7.5Kg(with stand)
	G.W.	8.3Kg

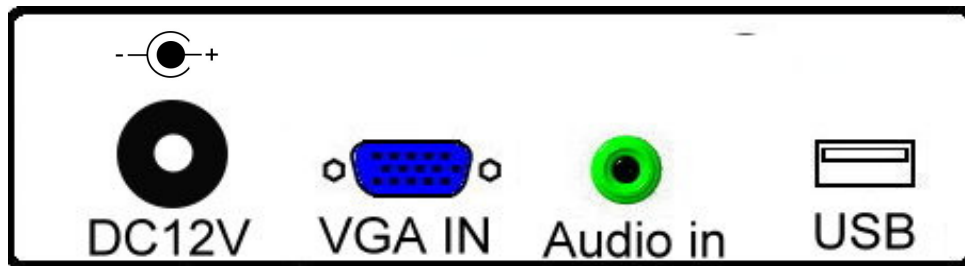
2. Input / Output

DC12V : DC12V ◦

VGA IN : VGA D-Sub 15P ◦

PC Audio : PC Audio in ◦

Touch Panel USB Port

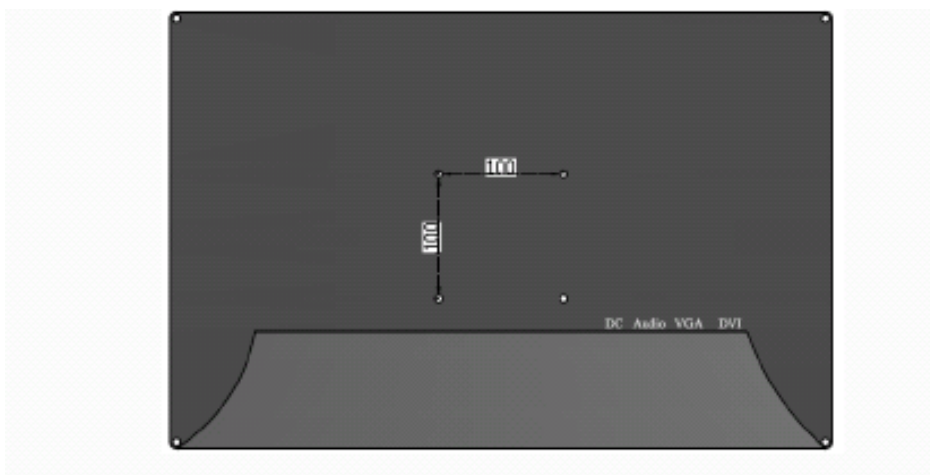
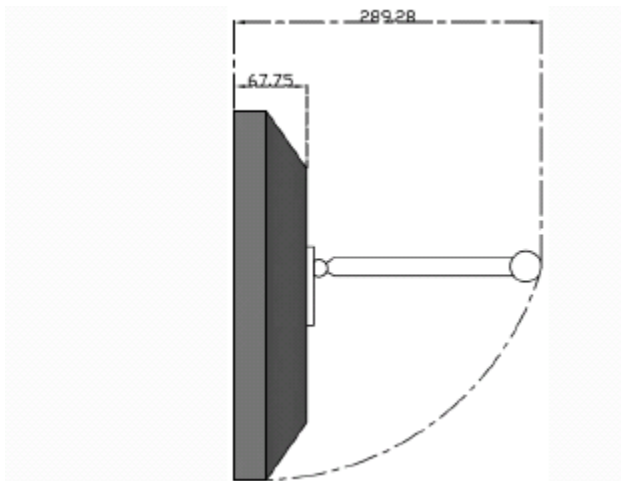
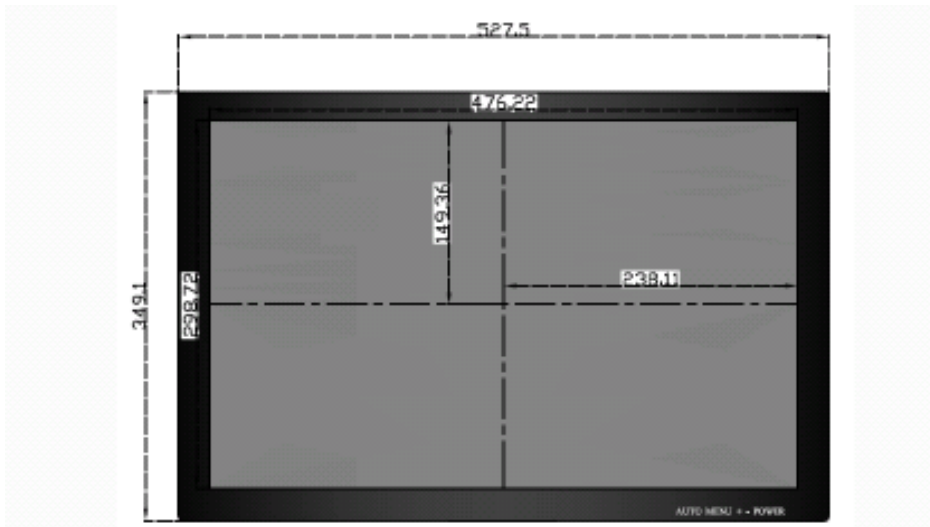


3. Appearance





4. Outside Dimension



5. Accessories

- 5.1. Adapter
- 5.2. VGA cable
- 5.3. Audio cable
- 5.4. Power cord
- 5.5. User's manual
- 5.6. CD driver (for touch panel)
- 5.7. USB cable

© This specification is subject to change without further notice.