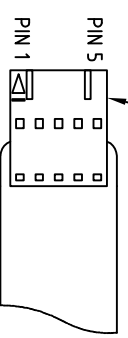
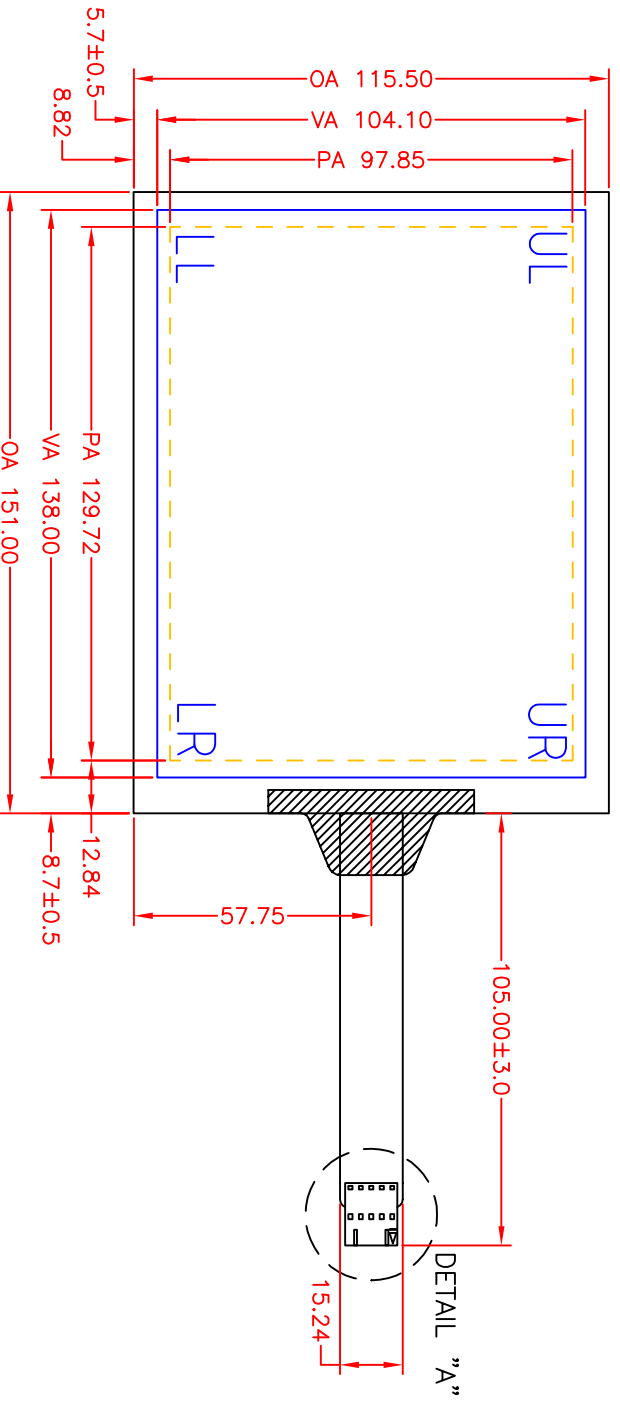


CONNECTOR HOUSING  
AMP #103959-4  
OR EQUIV



DETAIL "A"  
NOT TO SCALE

PIN OUT	
5	LL
4	LR
3	SHIELD
2	UR
1	UL



OA DIAGONAL : 190.11 [7.48"] (REF)  
VA DIAGONAL : 172.86 [6.80"] (REF)  
PA DIAGONAL : 162.49 [6.40"] (REF)

NOTES :  
1. Tail type : FPC

REV	DESCRIPTION	DATE	BY
A-02	MODIFY DRAWING LAYOUT	2009-12-10	H.Y
A	INITIAL RELEASE	2008-03-07	H.Y

DIMENSIONS		TOLERANCES UNLESS OTHERWISE SPECIFIED		THIRD ANGLE PROJECTION	
MM		X	±	DO NOT SCALE DRAWING	SCALE
		.XX	±0.3	1 : 1	
		.XXX	±0.15		
		ANGLES	±1°		
TITLE		NOTICE OF PROPRIETARY RIGHTS		DRAWN BY	
Damo 達諾光電股份有限公司		The document is proprietary property of Damo and is not to be distributed without Damo's authorization.		Hunter Yu	
Capacitive Touch Sensor				DRAWN DATE	
151.00 x 115.50 x 1.80				2009-12-10	
P/N		REV.		SHEET	
F1-06811APA-G0		A-02		1 of 1	