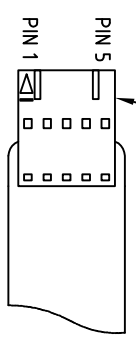
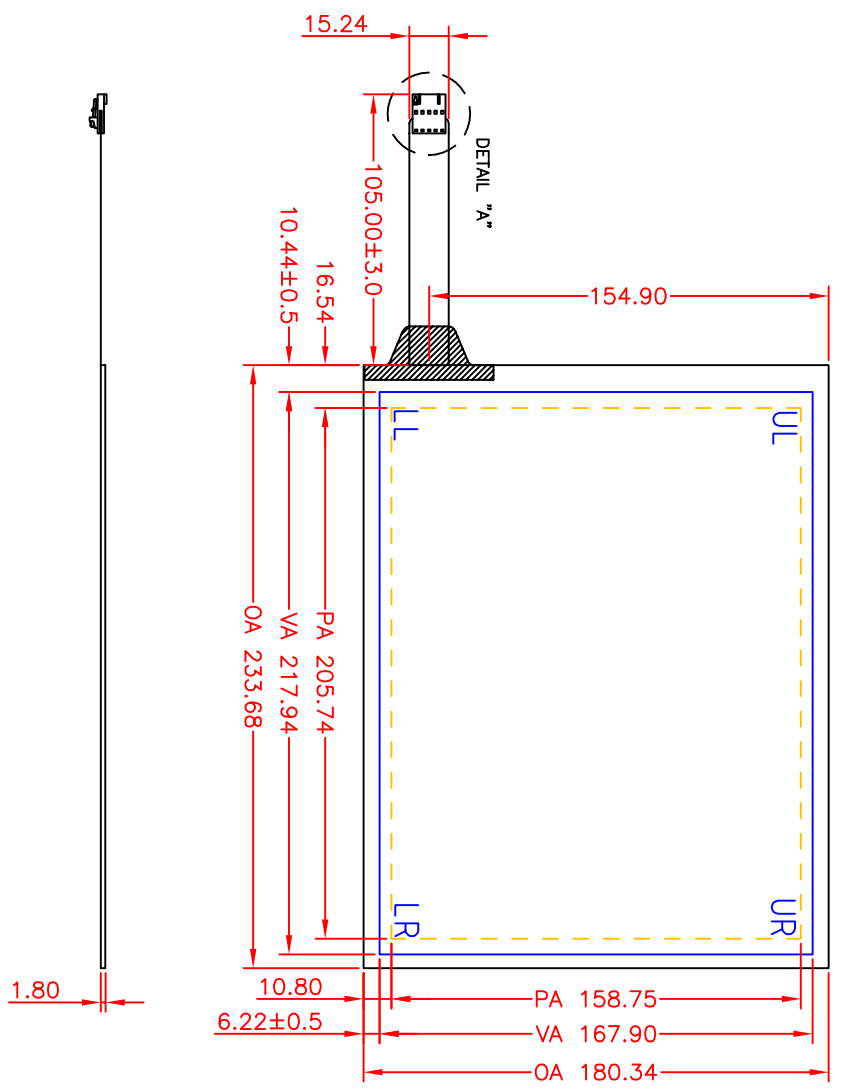


CONNECTOR HOUSING
AMP #103959-4
OR EQUIV



DETAIL "A"
NOT TO SCALE

PIN OUT	
5	UR
4	UL
3	SHIELD
2	LL
1	LR



OA DIAGONAL : 295.18 [11.62"] (REF)
VA DIAGONAL : 275.11 [10.83"] (REF)
PA DIAGONAL : 259.87 [10.23"] (REF)

NOTES :
1. Tail type : FPC

REV	DATE	DRW	DATE	EC	HY
A-03	2009-12-14		2009-12-14		
A-02	2009-09-29		2009-09-29		
A	2008-06-07		2008-06-07		

DIMENSIONS		TOLERANCES UNLESS OTHERWISE SPECIFIED		TITLE		NOTICE OF PROPRIETARY RIGHTS	
MM	±	.XX	±0.3	Dano 達諾光電股份有限公司		The document is proprietary property of Dano Optoelectronics and shall not be distributed without Dano's written authorization.	
	XXX	±0.15		Capacitive Touch Sensor			
	ANGLES	±1°		233.68 x 180.34 x 1.80			
THIRD ANGLE PROJECTION		DO NOT SCALE DRAWING		P/N	REV.	SHEET	DRAWN BY
		1 : 1		F1-10841APA-G0	A-03	1 of 1	Hunter Yu
				SCALE	DATE	DRAWN DATE	
				1 : 1	2009-12-14		