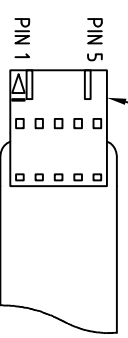
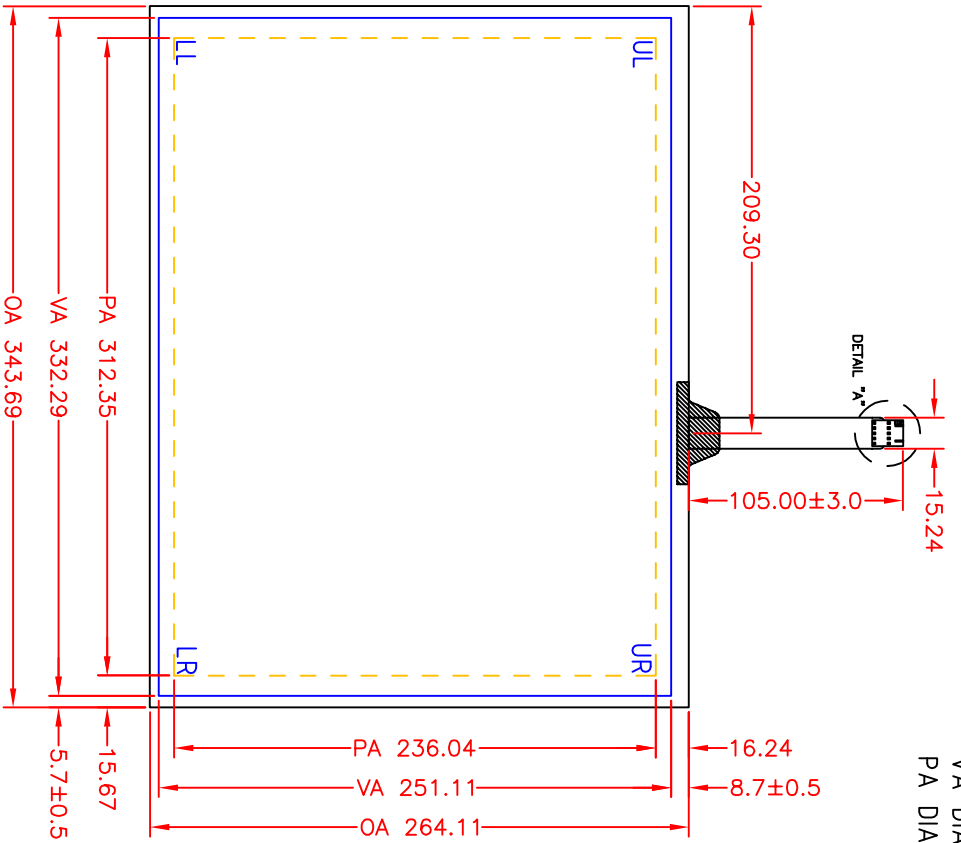
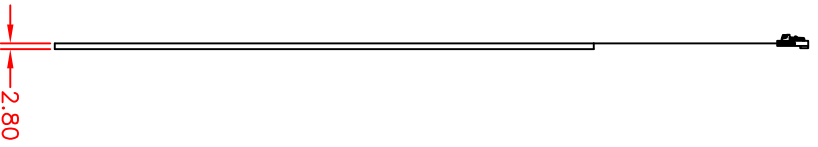


CONNECTOR HOUSING
AMP #103959-4
OR EQUIV



DETAIL "A"
NOT TO SCALE

PIN OUT	
5	LR
4	UR
3	SHIELD
2	UL
1	LL



OA DIAGONAL : 433.45 [17.07"] (REF)
VA DIAGONAL : 416.50 [16.40"] (REF)
PA DIAGONAL : 391.51 [15.41"] (REF)

NOTES :
1. Tail type : FPC

A-02	MODIFY DRAWING LAYOUT	2009-12-18	H.Y
A	INITIAL RELEASE	2009-06-11	EC
REV	CHANGE NOTICE	DATE	DRW

DIMENSIONS		MM		
TOLERANCES UNLESS OTHERWISE SPECIFIED				
X	±			
.XX	±0.3			
.XXX	±0.15			
ANGLES	±1°			
THIRD ANGLE PROJECTION				
P/N	F1-16422APA-N0	TITLE	Dano 達諾光電股份有限公司	
REV.	A-02	Capacitive Touch Sensor	NOTICE OF PROPRIETARY RIGHTS	
SHEET	1 of 1	34.369 x 264.11 x 2.80	The document is proprietary property of Dano Optoelectronic Co., Ltd. and is not to be distributed without Dano Optoelectronic's authorization.	
DRAWN BY	Hunter Yu	DRAWN DATE	2009-12-18	