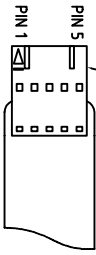
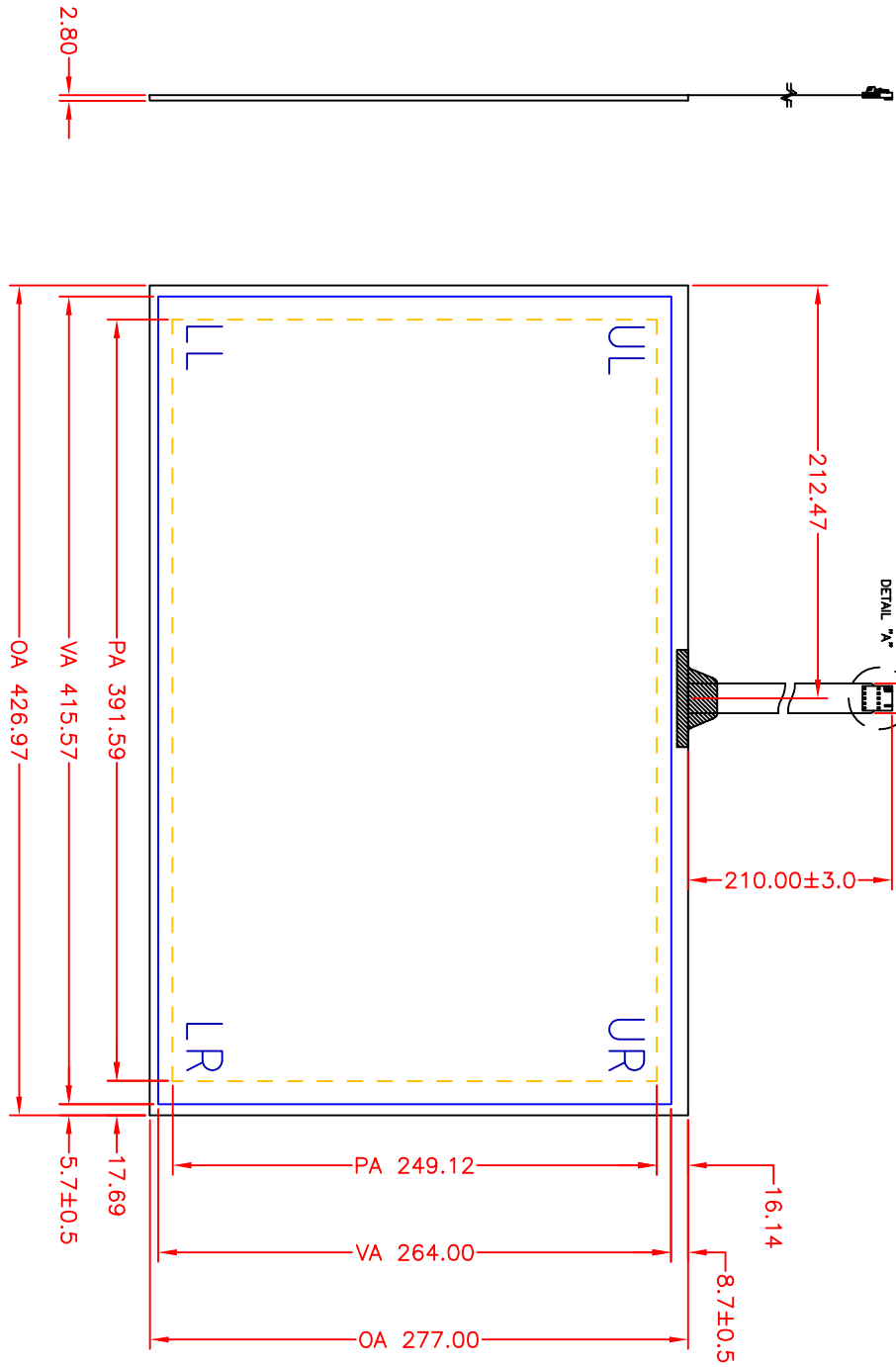


CONNECTOR HOUSING
AMP #103959-4
OR EQUIV



DETAIL "A"
NOT TO SCALE

| PIN OUT |
|----------|
| 5 LR |
| 4 UR |
| 3 SHIELD |
| 2 UL |
| 1 LL |



NOTES:
1. Tail type : FPC

OA DIAGONAL : 508.96 [20.04"] (REF)
VA DIAGONAL : 492.34 [19.38"] (REF)
PA DIAGONAL : 464.12 [18.27"] (REF)

| REV | CHANGE NOTICE | DATE | DRW |
|------|----------------------|------------|-----|
| A-02 | TOTAL LENGTH 202.5mm | 2009-08-21 | EC |
| A | INITIAL RELEASE | 2007-09-17 | H.Y |

| DIMENSIONS | | TOLERANCES UNLESS OTHERWISE SPECIFIED | | TITLE | | NOTICE OF PROPRIETARY RIGHTS | |
|------------|--|---------------------------------------|-------|-------------------------|--|---|----------------|
| MM | | X | ± | Damo 達諾光電股份有限公司 | | The document is proprietary property of Damo Tech Corp Ltd, and may not be reproduced or distributed without Damo Tech authorization. | |
| | | .XX | ±0.3 | Capacitive Touch Sensor | | P/N | W1-19432APA-N0 |
| | | .XXX | ±0.15 | 426.97 x 277.00 x 2.80 | | SHEET | 1 of 1 |
| | | ANGLES | ±1° | THIRD ANGLE PROJECTION | | DRAWN BY | Ethan Chou |
| | | | | DO NOT SCALE DRAWING | | REV. | A-02 |
| | | | | SCALE 1 : 1 | | DRAWN DATE | 2009-10-21 |