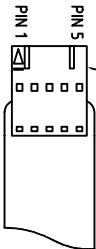
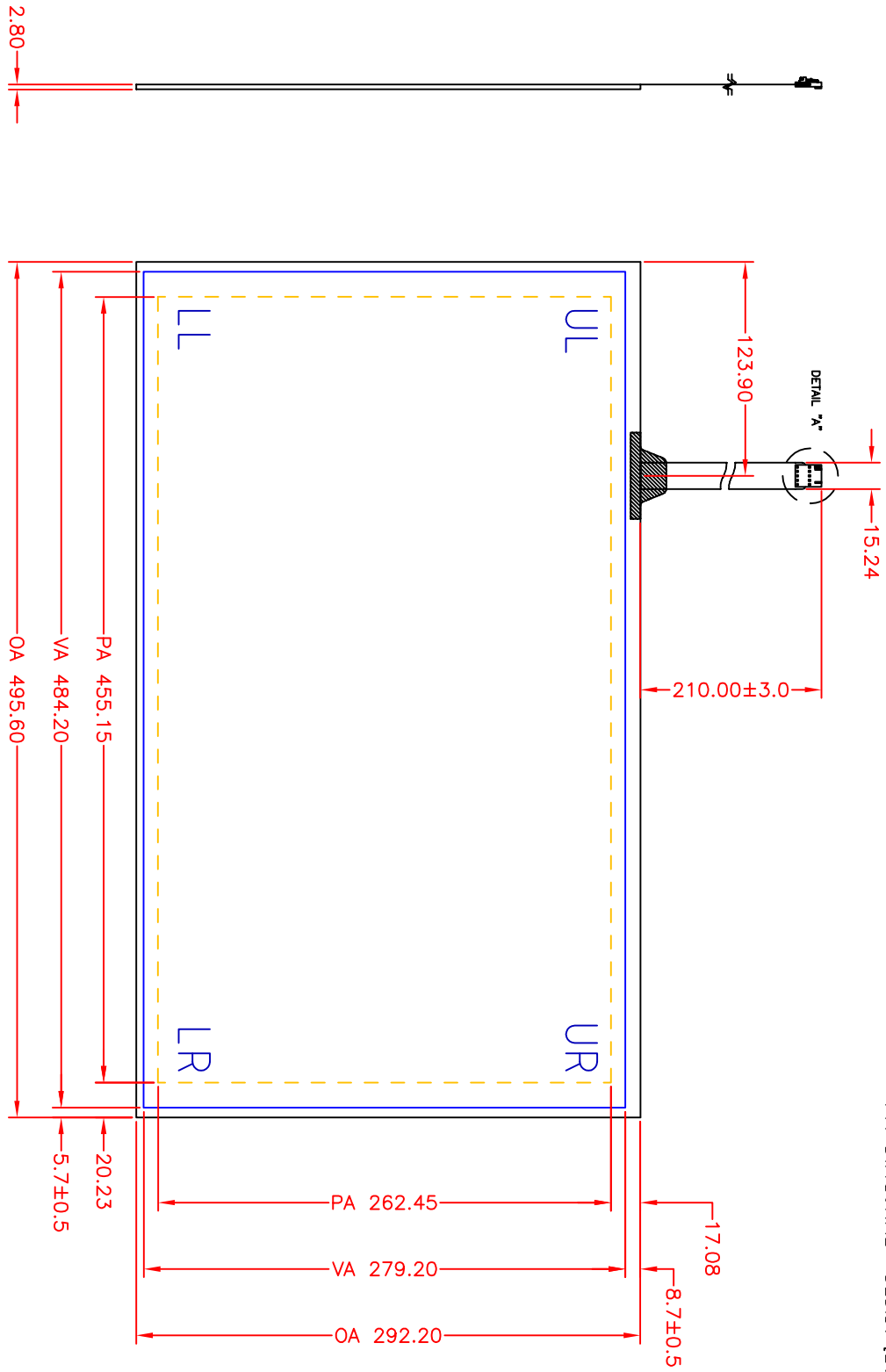


CONNECTOR HOUSING
AMP #103959-4
OR EQUIV



DETAIL "A"
NOT TO SCALE

PIN OUT	
5	LR
4	UR
3	SHIELD
2	UL
1	LL



OA DIAGONAL : 575.33 [22.65"] (REF)
VA DIAGONAL : 558.93 [22.01"] (REF)
PA DIAGONAL : 525.39 [20.69"] (REF)

NOTES :
1. Tail type : FPC

A-02	MODIFY DRAWING LAYOUT	2009-10-21	EC
A-01	INITIAL RELEASE	2009-04-24	EC
REV	CHANGE NOTICE	DATE	DRW

DIMENSIONS		MM	
TOLERANCES UNLESS OTHERWISE SPECIFIED			
X	±	±0.3	
.XX		±0.15	
.XXX		±1°	
THIRD ANGLE PROJECTION			
DO NOT SCALE DRAWING			
SCALE		1 : 1	
P/N	TITLE	REV.	SHEET
W1-22012APA-G0	capacitive Touch Sensor	A-02	1 of 1
495.60 x 292.20 x 2.80			
DRAWN BY	NOTICE OF PROPRIETARY RIGHTS	DRAWN DATE	
Ethan Chou	The document is proprietary property of Dano Tech Corp Ltd, and may not be reproduced or distributed without DanoTech authorization.	2009-10-21	

Dano 達諾光電股份有限公司